

**IMPORTANT!** Please keep these instructions for future reference. Please read these instructions before assembly and use of this product.

- Adult assembly is required
- Phillips Head Screwdriver (Not Included) required for assembly.
- Product features and decorations may vary from illustrations.
- Do not use power drills or drivers.

Bulletin NO.: 171505-00

MADE IN VIETNAM

# Furniture Care Instructions

## Room Climate Control

Wood, when first cut contains more than 50 percent water. When it is prepared for furniture construction it is placed in a Kiln and the moisture content is brought down to 8 to 10 percent. Wood is porous and responds to its environment. If the room has high humidity it will absorb it and expand and if the humidity is low it will lose moisture and shrink.

It is important that the humidity levels in the room be controlled from extremes of too much humidity or too little. Furniture should not be placed close to air-conditioning outlets, fireplaces, radiators, space heaters, humidifiers or dehumidifiers. Exposure to extreme variations of temperature and humidity can damage any fine wood product.

## The Ideal Environment for Fine Furniture

Fine wood furniture will have fewer problems when its environment is controlled at a temperature between 65 and 75 degrees and a relative humidity between 35 and 40 percent. Wood placed in an environment outside of those limits can and will shrink or expand and may develop some small cracks which are not material or structural defects.

## Sticking Doors and Drawers

With minor changes in temperature and humidity, doors and drawers may swell and be difficult to open or close. Tolerances have been built into the units but extreme conditions may still cause sticking. This will adjust back to normal over time but until it does, consider using a dehumidifier or rub candle wax or paraffin on the sides that stick.

## Avoid Direct Sunlight

Keep the furniture out of direct sunlight. Ultraviolet rays will fade colors and in some cases darken them. It can also cause crazing or hair line cracks in the finish. White finishes will yellow naturally over time and exposure to direct sunlight will hasten this natural process along with some woods darkening naturally over time; this is not considered to be a quality defect.

## Proper Storage

If you need to put your furniture in storage for any period of time, do not place furniture in a damp basement or hot dry attic. Allow air movement around the furniture and do not stack anything on it.

## In General

- Protect furniture surface from hot or extremely cold items.
- Use coasters under hot or cold beverages.
- Do not use synthetic fabric under accessories or lamps.
- Protect tops from pens, markers and crayons.
- Oils from potpourri and other scented items can damage the furniture finish.
- Do not drag items across the surface of the furniture.
- Allow the surface to breath by rotating your accessories and lamps.
- Do not over polish the furniture, do it only two or three times a year. Over polishing can distort the natural finish of the product.
- Do not wax the furniture as wax build up can destroy the natural finish of the product.
- When moving furniture always lift the unit. Do not push or drag it to avoid damage to the legs.
- Keep the furniture level so doors and drawers open and close freely.
- Clean with a damp, not wet, cloth. Use only a mild soap. Do not use abrasive cleaners.

# **STOP**

**IF YOU EXPERIENCE ANY  
ISSUES WITH THIS PRODUCT**

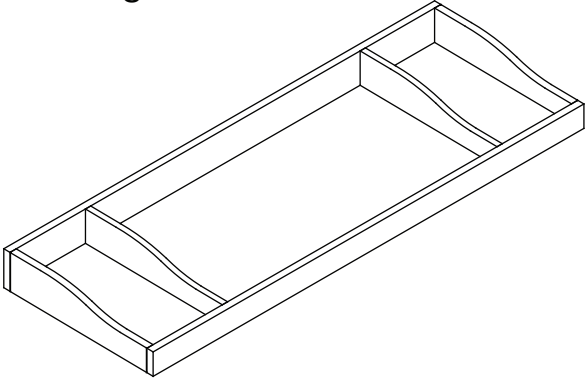
**BEFORE YOU  
RETURN THIS TO  
THE RETAILER**

**PLEASE FOLLOW  
PROCEDURES ON THE  
BACK PAGE**

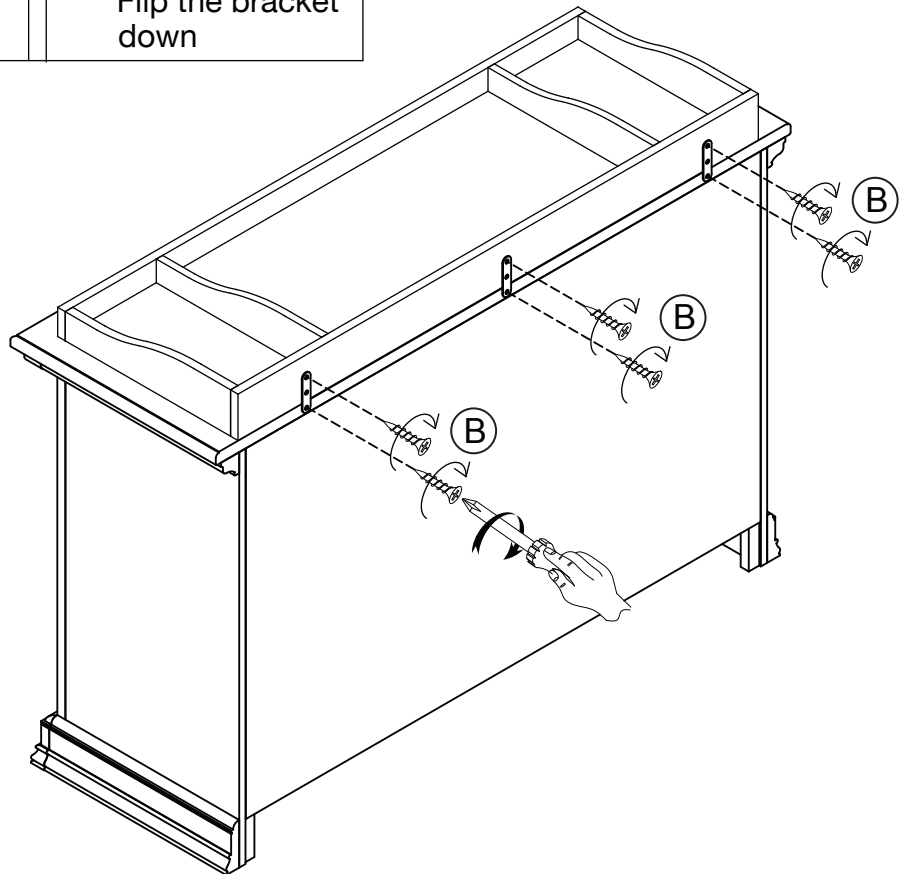
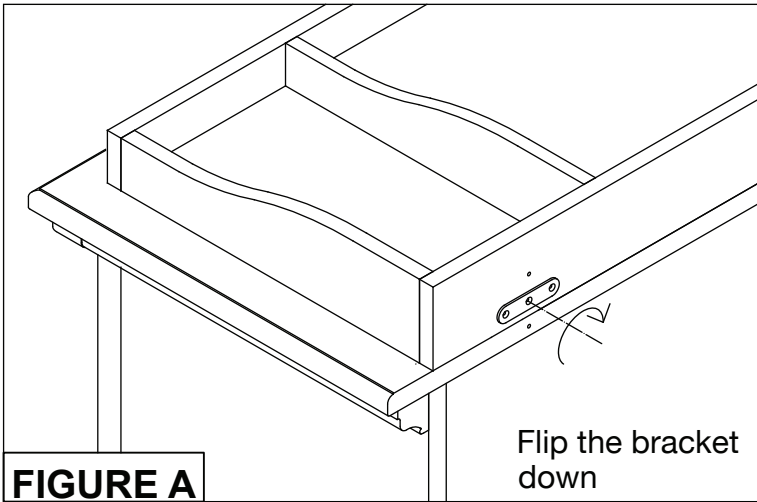
# ASSEMBLY INSTRUCTION

## PARTS ENCLOSED IN CARTON

**A** (1) Dressing Kit




**B** (6) Wood Screw 5/8" (16mm)




Place the Dressing Kit (A) onto the top of the dresser.

Turn one side of each of the brackets down over the edge of the dresser (FIGURE A).

Screw the brackets into the dresser and the Kit using a Phillip's screwdriver as shown in figure.

 **WARNING:** FAILURE TO FOLLOW THESE WARNINGS AND ASSEMBLY INSTRUCTIONS COULD RESULT IN SERIOUS INJURY OR DEATH. READ ALL INSTRUCTIONS BEFORE ASSEMBLING DRESSING KIT. KEEP INSTRUCTIONS FOR FUTURE USE.

 **WARNING:** FALL HAZARD - TO PREVENT DEATH OR SERIOUS INJURY FROM FALLS, ALWAYS KEEP CHILD WITHIN ARM'S REACH. NEVER LEAVE CHILD UNATTENDED.

- Read all instructions before assembling and use of Dressing Kit.

**KEEP INSTRUCTIONS FOR FUTURE USE.**

- This Dressing Kit is intended for use with children weighing up to 13.6 kg (30 lb).
- This Dressing Kit is intended for use on a Double Dresser with dimensions of no less than 52 inches long x 18 inches wide (1320mm x 458mm).
- This Dressing Kit maybe used with or without a pad. If using a Contour Pad, the maximum thickness should **NOT** exceed 4 inches (100mm). If using a Flat Changing Pad, the maximum thickness should **NOT** exceed 1 inch (25mm).
- The dimensions of the pad used should be **32 inches long x 16 inches wide (813mm x 407mm)**.
- If refinishing, use non-toxic finish specified for children's products.
- Never leave the child unattended and always use restraining system.
- Adult assembly required.
- Before each use or assembly, inspect Dressing Kit for damaged hardware, loose joints, missing parts or sharp edges. **DO NOT** use Dressing Kit if any parts are missing or broken. Contact us for replacement parts and instructional literature if needed.  
**DO NOT** substitute parts.

# Product Assistance Procedures

You have purchased a quality piece of furniture. Our International team has spent many hours designing and engineering this piece and packaging to ensure you will be satisfied with your purchase. But if for any reason you need help with your purchase please contact us at any time.

## Procedures to follow should you have any questions:

Most inquiries can be answered by visiting our website. There, you can order parts, find assembly instructions, and get answers to frequently asked questions on all of our brands.

You can also email us. In order for us to provide you with the best service possible, please include the following information in your email:

1. Your Name
2. Address
3. Phone Number
4. Item Number and description of your product
5. PO#
6. Production Date

All product information will be on the product label located on the back of all dressers and other furniture, and on either the inside bottom of the headboard, crib ends, or stabilizer bar of your crib, depending on which model you have.

Someone will contact you via e-mail or phone to help you with your issues.

If you do not have internet access, you can fax your information to us.

If you do not have internet or fax access, please call us at our toll free number. Be sure to have all of the above information ready to give to your Customer Service Specialist.

## Contact

### U.S.A

Bivona & Company®, LLC  
125 Jackson Avenue Suite 1,  
Edison, NJ 08837  
Toll Free: 1-888-963-8125;  
Fax: 732-527-0664  
Website: [www.bivonaco.com](http://www.bivonaco.com)  
Email: [info@bivonaco.com](mailto:info@bivonaco.com)

Manufactured for and distributed in the United States by Bivona & Company®, LLC  
125 Jackson Avenue Suite 1, Edison, NJ 08837.

MADE IN VIETNAM